

Carbon Oil Catch

Can 0.75 liter

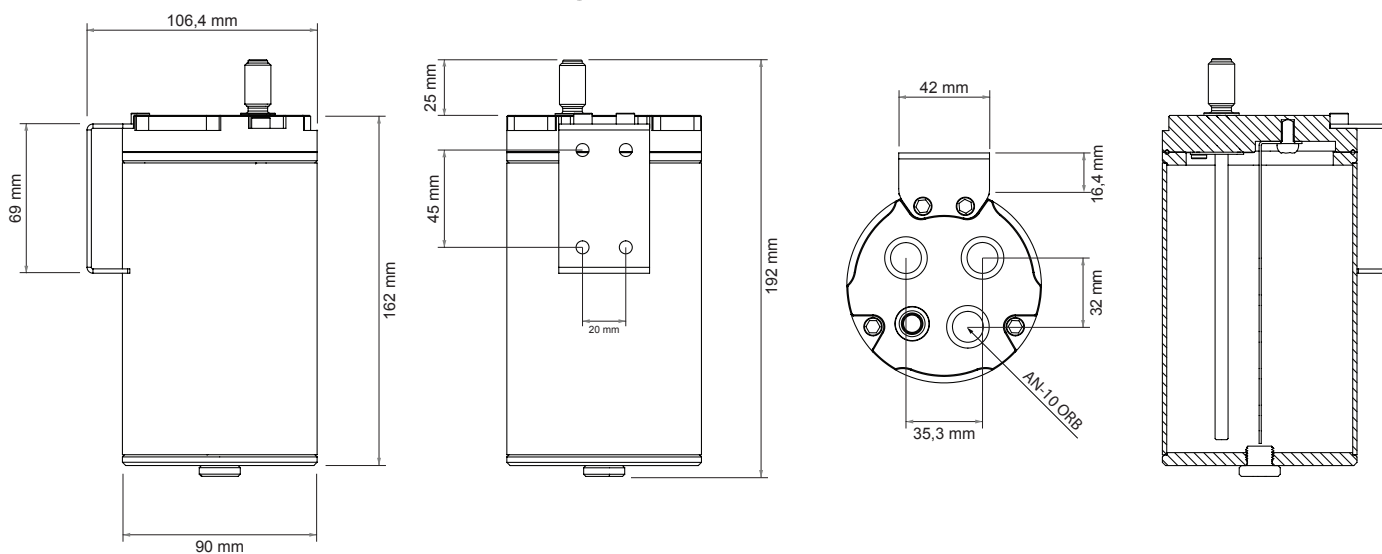
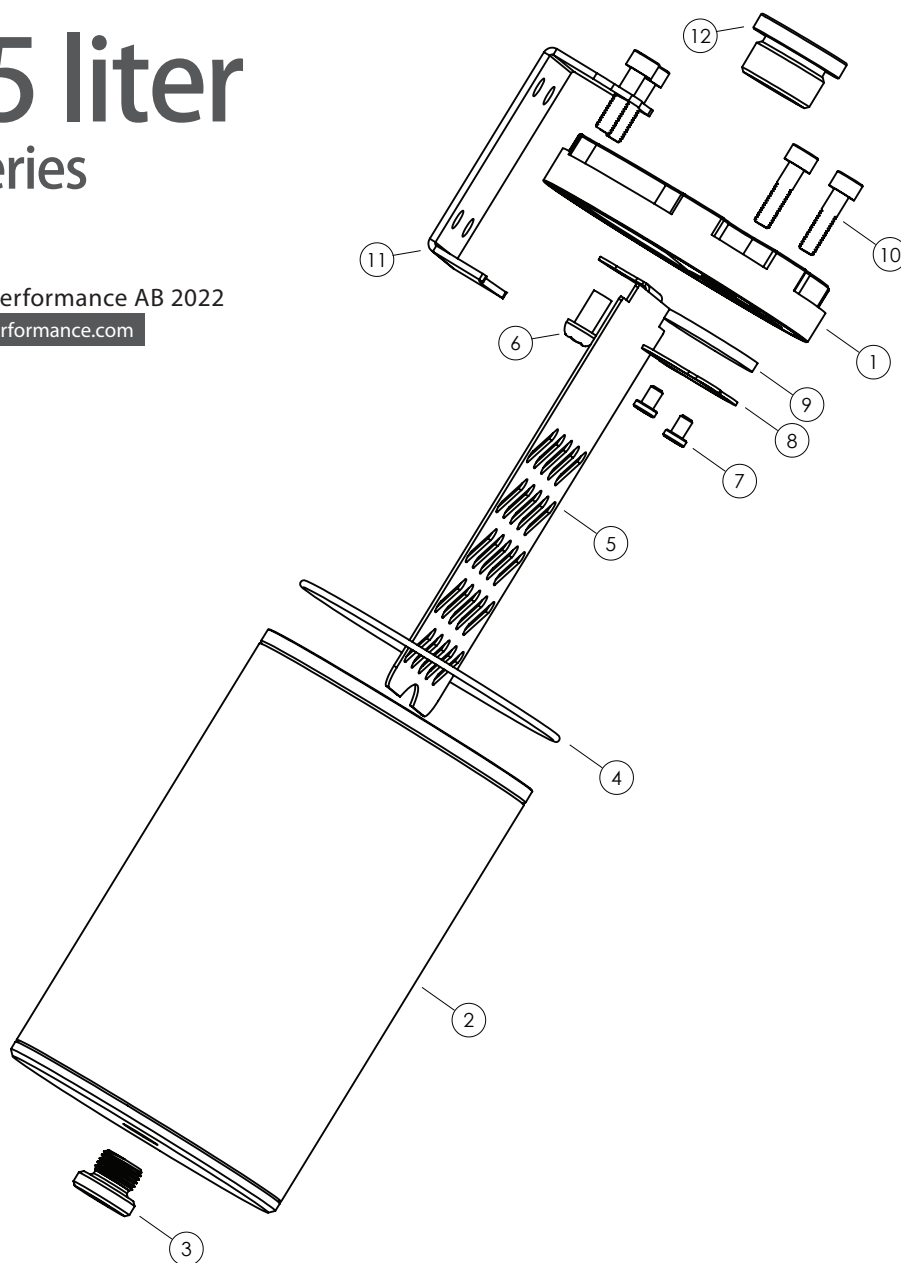
Performance Series

265-01-202

Assembly Instructions | © Nuke Performance AB 2022

For more information visit : www.nukeperformance.com

- 1** Billet Top Lid
- 2** Carbon Housing 0.75 liter
- 3** 1/4 G Plug
- 4** Viton O-Ring 84*2mm
- 5** Stainless Steel Baffling
- 6** Stainless Steel K6S M6*8mm
- 7** Stainless Steel M4*6mm Screw 2pc
- 8** Stainless Steel Filter Disc Bracket
- 9** 300micron Stainless Steel Filter Disc
- 10** Stainless Steel M5*20mm 4pc
- 11** Stainless Steel Mounting Bracket
- 12** AN-10 to Atmospheric Fitting
Included optional fitting for atmospheric use



Information:

Design combined with top quality performance.
For more information about the products and retailers visit
www.nukeperformance.com