

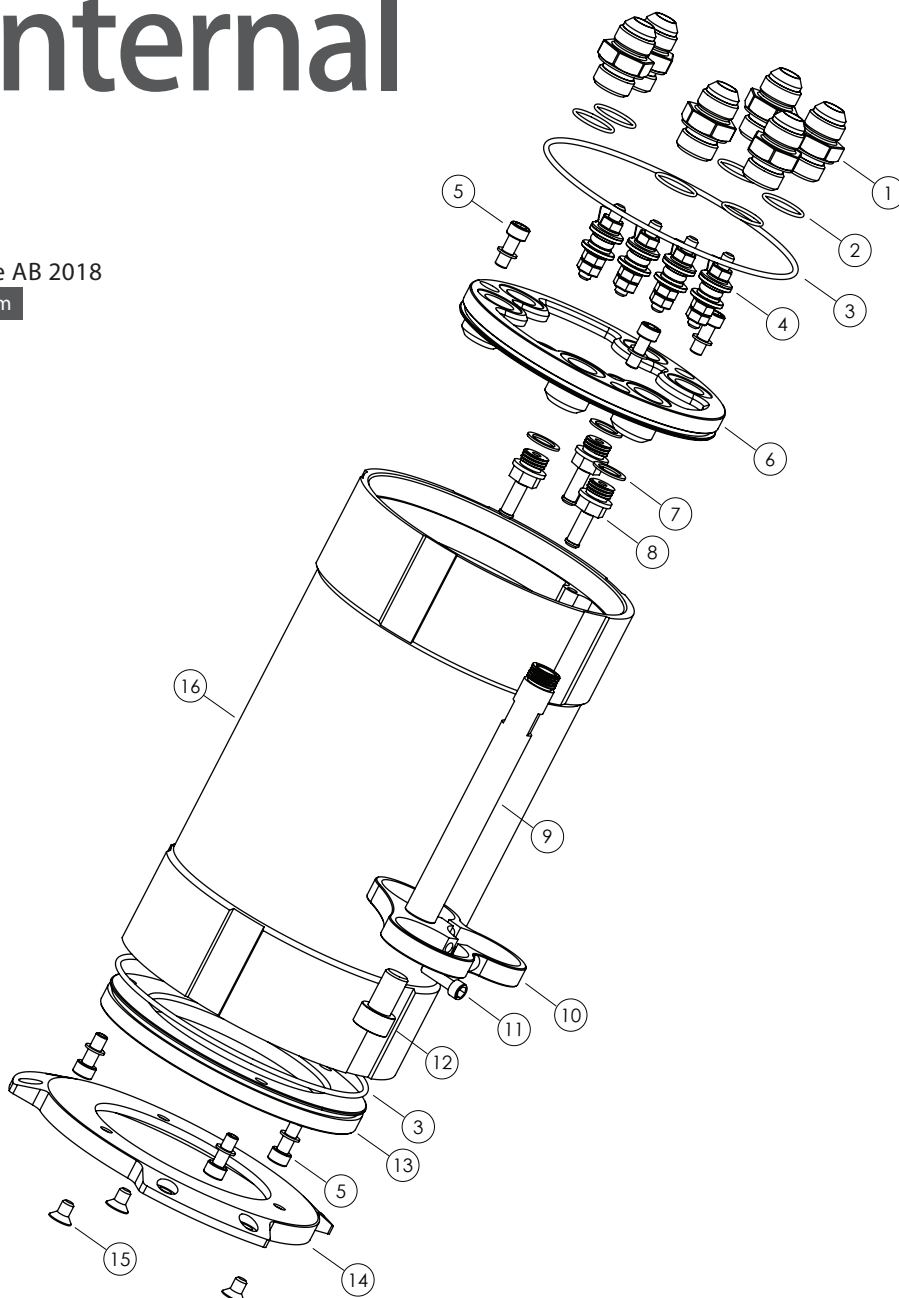
2G FST : Internal Fuel Surge Tank

150-01-206

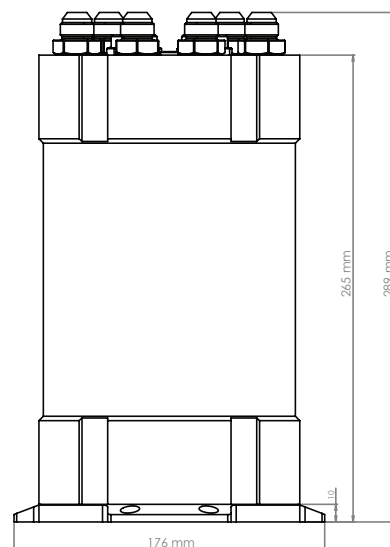
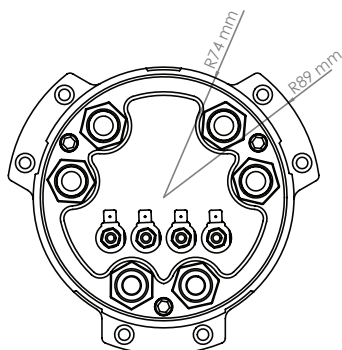
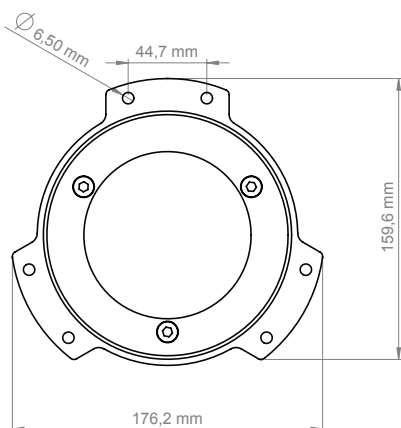
Assembly Instructions | © Nuke Performance AB 2018

For more information visit : www.nukeperformance.com

- 1 6pc 3 / 4 UNF- AN8 Fitting
- 2 6pc Viton O-Ring 19,1 * 1,6 mm
- 3 Viton O-ring 134 * 2,5 mm for top and bottom lid
- 4 4pc Electrical Connector
- 5 6pc Stainless M6 * 16 mm Screw with sealer
- 6 Billet Top Lid with 6x 3/4 ports
- 7 3pc 1/4 Copper crush washer
- 8 3pc 1/4 G Barb Fitting
- 9 Pipe for billet internal bracket
- 10 Billet Bracket for tripple 39 mm fuel pumps
- 11 Stainless Steel M5*20mm MC6S
- 12 Stainless Steel M12*20mm
- 13 Billet Bottom Lid
- 14 Billet mounting bracket with 6 bolt pattern
Fits all Nuke Performance FST, including 1G
- 15 3pc Stainless M6 * 6 mm Screw
- 16 Billet Fuel Surge Tank Housing 3.0 liter



MEASUREMENTS



Information:

Design combined with top quality performance.
For more information about the products and retailers visit
www.nukeperformance.com

nuke
PERFORMANCE