

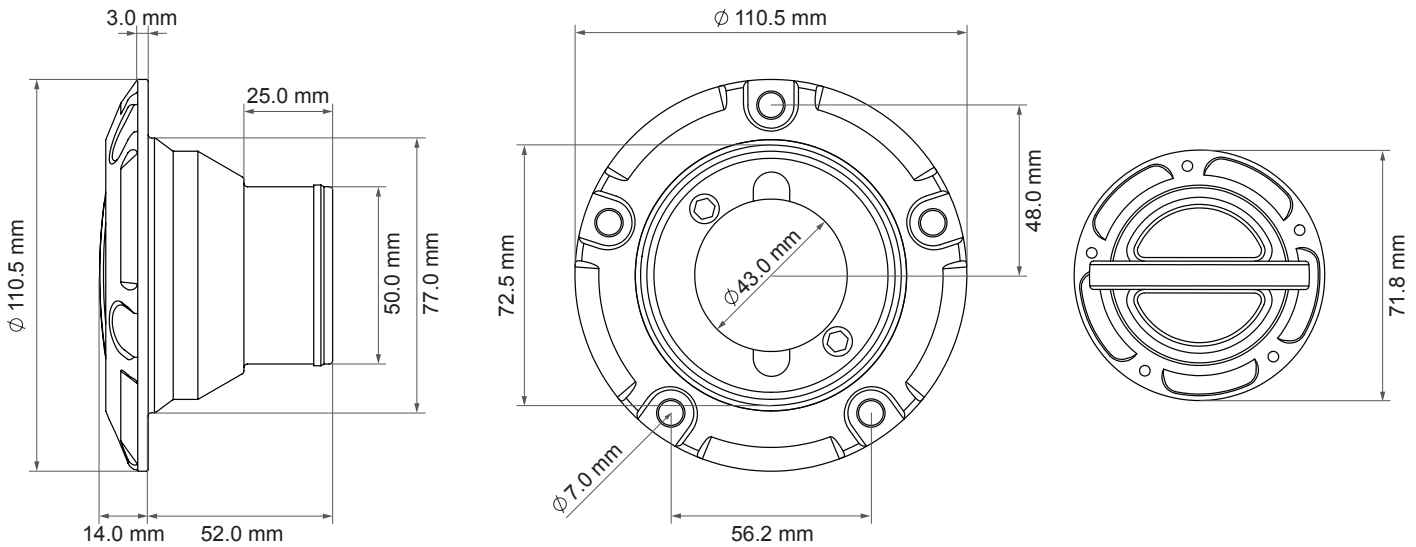
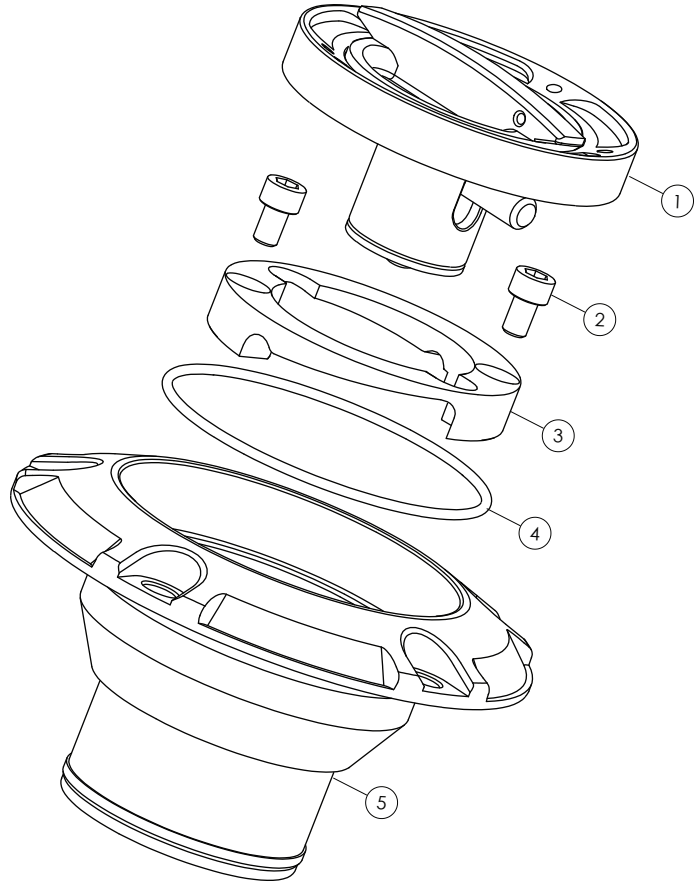
# Remote Quick Lock Filler Cap

Part # 150-30-101

Assembly Instructions | © Nuke Performance AB 2023

For more information visit : [www.nukeperformance.com](http://www.nukeperformance.com)

- 1 Quick-lock filler cap with stainless steel lock pin
- 2 MC6S M6x8 A2 bolts
- 3 Hard anodized aluminum lock ring
- 4 O-ring 66x2mm Viton
- 5 Filler neck body for 50mm (2") fuel fill hose
- 6 Gasket 111x2mm Viton  
Not shown in illustration
- 7 Stainless steel wire kit for M6 bolts  
Not shown in illustration



## Nuke Performance Remote Quick Lock Filler Cap specifications

For more information about specifications, visit our product page on our website.

Nuke Performance : [www.nukeperformance.com](http://www.nukeperformance.com)



<b>Barb connection diameter</b>	50.0 mm (2.0")	<b>Outer diameter</b>	110.5mm (4.35")
<b>Barb connection length</b>	25.0 mm (0.98")	<b>Mounted height over panel</b>	12.0mm (0.47")
<b>Bolt pattern</b>	PCD 5x60mm (2.36") / BCD 96mm (3.77")	<b>Total depth</b>	64.0mm (2.51")
<b>Bolt dimensions</b>	M6 (not included)	<b>Weight</b>	366g (0.80lb)
<b>Included gasket</b>	YES, Viton gasket is included	<b>Fuel compatibility</b>	Gasoline, Ethanol, Methanol, Race fuel
<b>Included wire</b>	YES, Stainless steel wire with heat shrink	<b>Part number</b>	150-30-101



INCORRECT INSTALLATION CAN CAUSE SERIOUS DAMAGE TO THE PRODUCT AND VEHICLE. AS A RESULT, ACCIDENTS, PROPERTY DAMAGE, AND PERSONAL INJURY ARE POSSIBLE. INSTALLATION MAY ONLY BE CARRIED OUT BY EXPERTS. MAKE SURE TO ALWAYS USE ALL NECESSARY SAFETY EQUIPMENT. THE MANUFACTURER IS NOT LIABLE FOR DAMAGE CAUSED BY IMPROPER INSTALLATION.



### Information:

Design combined with top quality performance.  
For more information about the products and retailers visit [www.nukeperformance.com](http://www.nukeperformance.com)

**nuke**  
PERFORMANCE