

Fuel Filter PF200

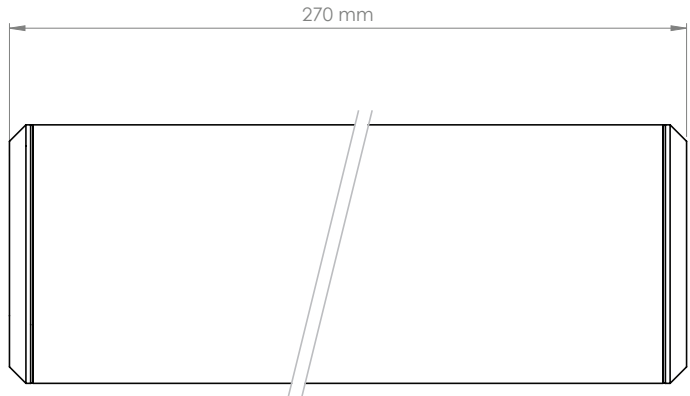
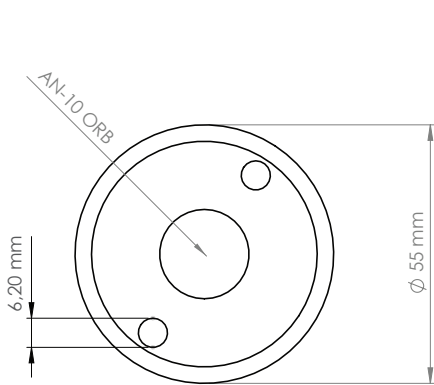
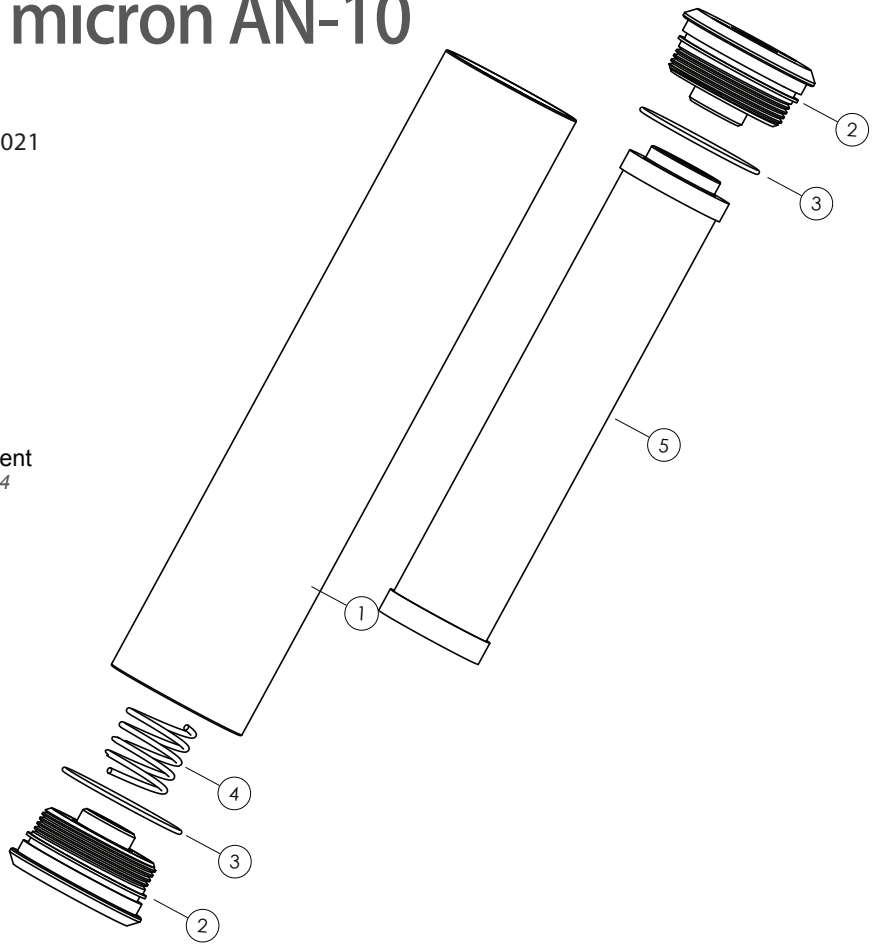
Fuel Filter PF200 10 micron AN-10

200-03-201

Assembly Instructions | © Nuke Performance AB 2021

For more information visit : www.nukeperformance.com

- 1** Billet lightweight filter body
- 2** Filter end cap with AN-10 ORB thread
- 3** Viton O-ring 44.6 x 2.4 mm for end cap
- 4** Internal spring
- 5** 200mm 10 mic welded stainless steel filter element
Replaceable / Cleanable filter element Part # 200-10-104



Nuke Performance PF200 fuel filter specifications

For more information about specifications, visit our product page on our website.

Nuke Performance : www.nukeperformance.com



PF200 Fuel Filter Part #	200-03-201	Flow capacity	1800 LPH
Replacement filter element	200-10-104	Pressure drop	≈0.15 BAR (≈2.17 PSI)
Filter element micron	µm 10-micron	Length	270mm (10.63")
Filter element material	Stainless steel, all metal and no glue	Diameter	Ø 55mm (2.16")
Work pressure / Max pressure	8 BAR (116 PSI) / 21 BAR (305 PSI)	Inlet thread	AN-10 ORB (no fittings included)
Filter area	150 sq. inches	Outlet thread	AN-10 ORB (no fittings included)
Fuel compatibility	Gasoline (Petrol), Methanol, Ethanol (E85)	Weight	1099g (2.42lb)



INCORRECT INSTALLATION CAN CAUSE SERIOUS DAMAGE TO THE PRODUCT AND VEHICLE. AS A RESULT, ACCIDENTS, PROPERTY DAMAGE, AND PERSONAL INJURY ARE POSSIBLE. INSTALLATION MAY ONLY BE CARRIED OUT BY EXPERTS. MAKE SURE TO ALWAYS USE ALL NECESSARY SAFETY EQUIPMENT. THE MANUFACTURER IS NOT LIABLE FOR DAMAGE CAUSED BY IMPROPER INSTALLATION.



Information:

Design combined with top quality performance.
For more information about the products and retailers visit www.nukeperformance.com

nuke
PERFORMANCE