

# FPR100s

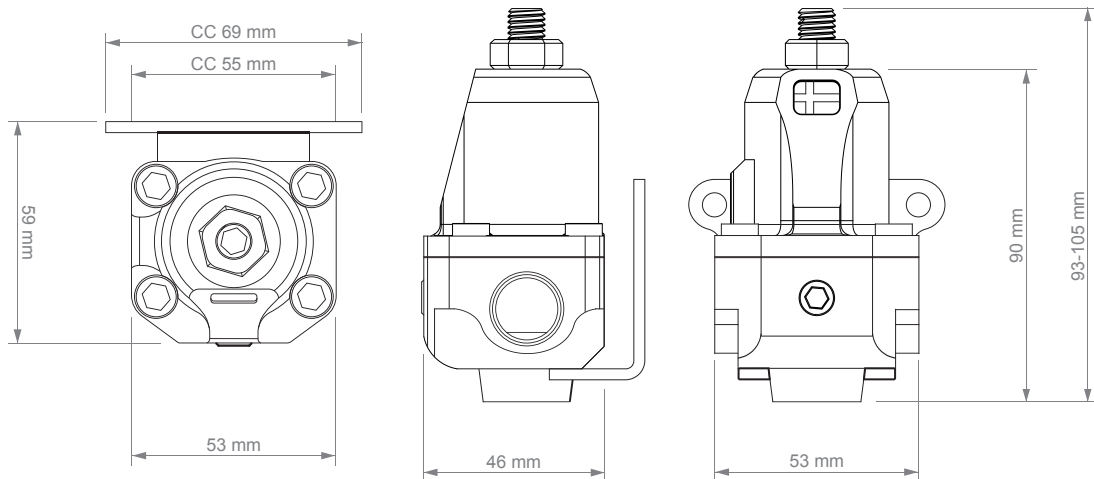
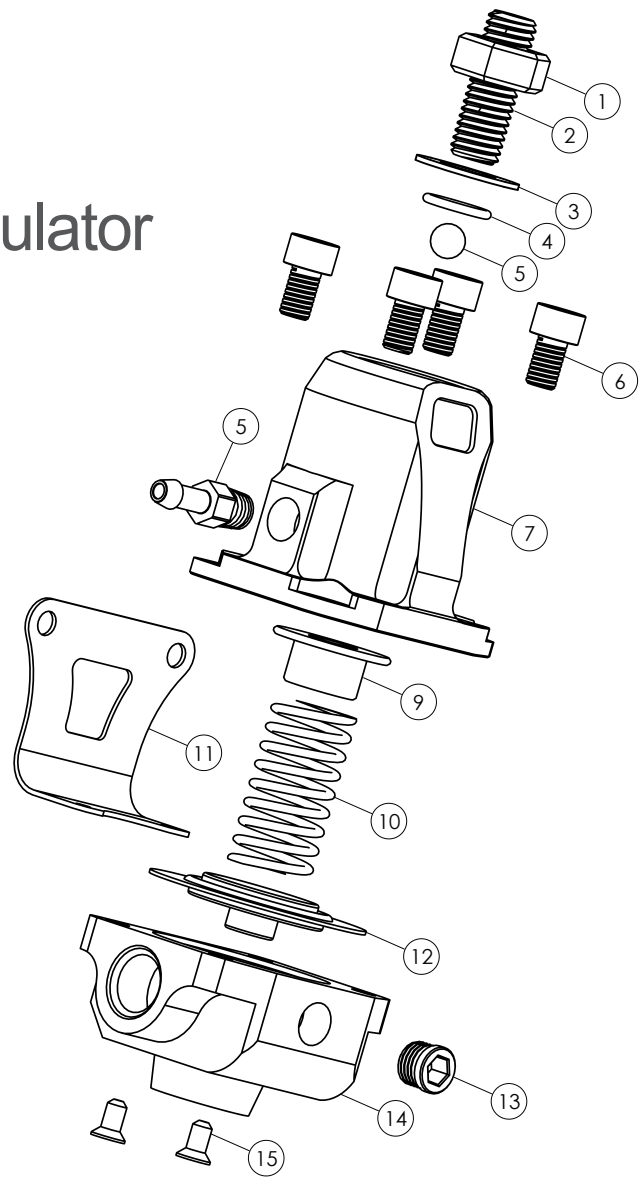
## AN-6 Fuel Pressure Regulator

300-02-201

Assembly Instructions | © Nuke Performance AB 2021

For more information visit : [www.nukeperformance.com](http://www.nukeperformance.com)

- 1 Stainless steel M10 adjustment nut
- 2 Stainless steel M10x40 hex adjustment bolt
- 3 Stainless steel M10 washer
- 4 Viton O-ring 10.5x1.8 for adjustment bolt
- 5 Stainless steel ball bearing ball
- 6 Stainless steel MC6S M6x12 bolt
- 7 Billet aluminum top housing
- 8 1/16" NPT to 5mm Barb male fitting for vacuum
- 9 Stainless steel top spring seat
- 10 Stainless steel regulator spring
- 11 Stainless steel bracket, mounting point cc 55mm
- 12 Fibre-reinforced nitrile membrane 46mm
- 13 1/8" NPT plug for pressure gauge/sensor
- 14 Billet aluminum bottom housing with AN-6 ORB threads
- 15 Stainless steel M5x5 MF6S bolt



### Nuke Performance FPR100s specifications

For more information about specifications, visit our product page on our website.

Nuke Performance : [www.nukeperformance.com](http://www.nukeperformance.com)

<b>Pressure range</b>	2 - 7 BAR (30 - 100 PSI)	<b>Vacuum reference port</b>	1/16" NPT
<b>Boost reference</b>	1:1	<b>Diaphragm</b>	46mm Fibre-nitrile diaphragm
<b>Horsepower rating</b>	200 - 700 HP	<b>Height</b>	93-105mm (3.66-4.13")*
<b>Free fuel flow rating</b>	600 LPH	<b>Width</b>	53mm (2.08")
<b>Fuel compatibility</b>	Gasoline, Petrol, Methanol, Ethanol	<b>Depth</b>	46mm (1.81")
<b>Inlet thread</b>	Dual AN-6 ORB	<b>Weight</b>	352g (12.42oz)
<b>Outlet thread</b>	Single AN-6 ORB	<b>Ball-Bearing adjustment</b>	≈0.14 BAR (≈2 PSI) / turn
<b>Fuel pressure gauge port</b>	1/8" NPT		* depending on set pressure



INCORRECT INSTALLATION CAN CAUSE SERIOUS DAMAGE TO THE PRODUCT AND VEHICLE. AS A RESULT, ACCIDENTS, PROPERTY DAMAGE, AND PERSONAL INJURY ARE POSSIBLE. INSTALLATION MAY ONLY BE CARRIED OUT BY EXPERTS. MAKE SURE TO ALWAYS USE ALL NECESSARY SAFETY EQUIPMENT. THE MANUFACTURER IS NOT LIABLE FOR DAMAGE CAUSED BY IMPROPER INSTALLATION.



### Information:

Design combined with top quality performance.  
For more information about the products and retailers visit  
[www.nukeperformance.com](http://www.nukeperformance.com)

**nuke**  
performance